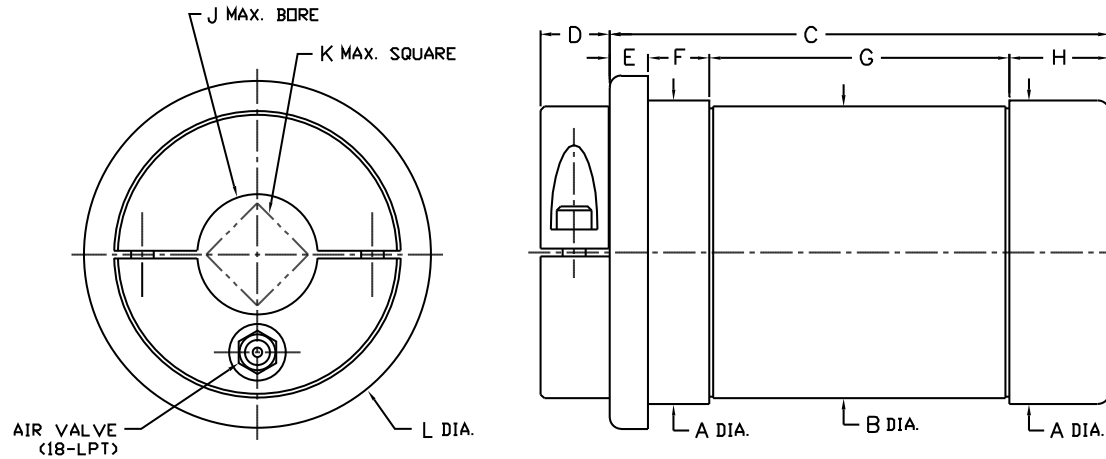


Dimensional Specifications of Air Adapter Chucks



SIZE	A	B	C	D	E	F	G	H	J	K	L	WGT
3"	2 ^{31/32} "	2 ^{15/16} "	9 ^{1/8} "	3/4"	3/8"	1 ^{11/16} "	5"	2 ^{1/16} "	1 ^{1/5} "	1 ^{1/4} "	3 ^{3/4} "	4"
5"	4 ^{7/8} "	4 ^{7/8} "	8"	1 ^{1/8} "	5/8"	1"	4 ^{3/4} "	1 ^{5/8} "	3"	2"	5 ^{3/4} "	11"
6"	5 ^{7/8} "	5 ^{3/4} "	8"	1 ^{1/8} "	5/8"	1"	4 ^{3/4} "	1 ^{5/8} "	3"	2"	6 ^{3/4} "	12"
7 ^{3/8} "	7 ^{1/4} "	7 ^{1/8} "	8"	1 ^{1/8} "	5/8"	1"	4 ^{3/4} "	1 ^{5/8} "	4 ^{3/8} "	3 ^{1/16} "	8"	17"
8"	7 ^{7/8} "	7 ^{3/4} "	8"	1 ^{1/8} "	5/8"	1"	4 ^{3/4} "	1 ^{5/8} "	5 ^{1/4} "	3 ^{3/4} "	8 ^{3/8} "	20"
10"	9 ^{3/4} "	9 ^{11/16} "	8"	1 ^{1/8} "	5/8"	1"	4 ^{3/4} "	1 ^{5/8} "	7 ^{1/4} "	5 ^{1/8} "	10 ^{3/4} "	30"
12"	11 ^{3/4} "	11 ^{11/16} "	8 ^{1/4} "	1 ^{1/8} "	3/4"	1"	4 ^{3/4} "	1 ^{3/4} "	7 ^{1/4} "	5 ^{1/8} "	12 ^{3/4} "	40"